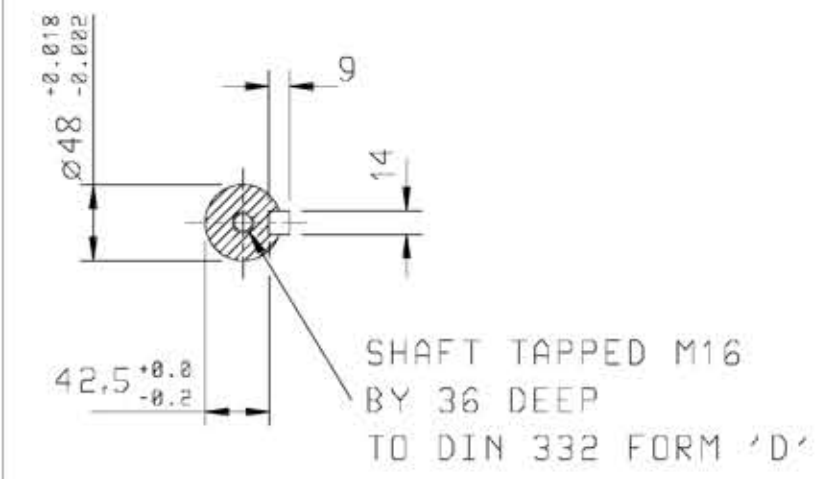
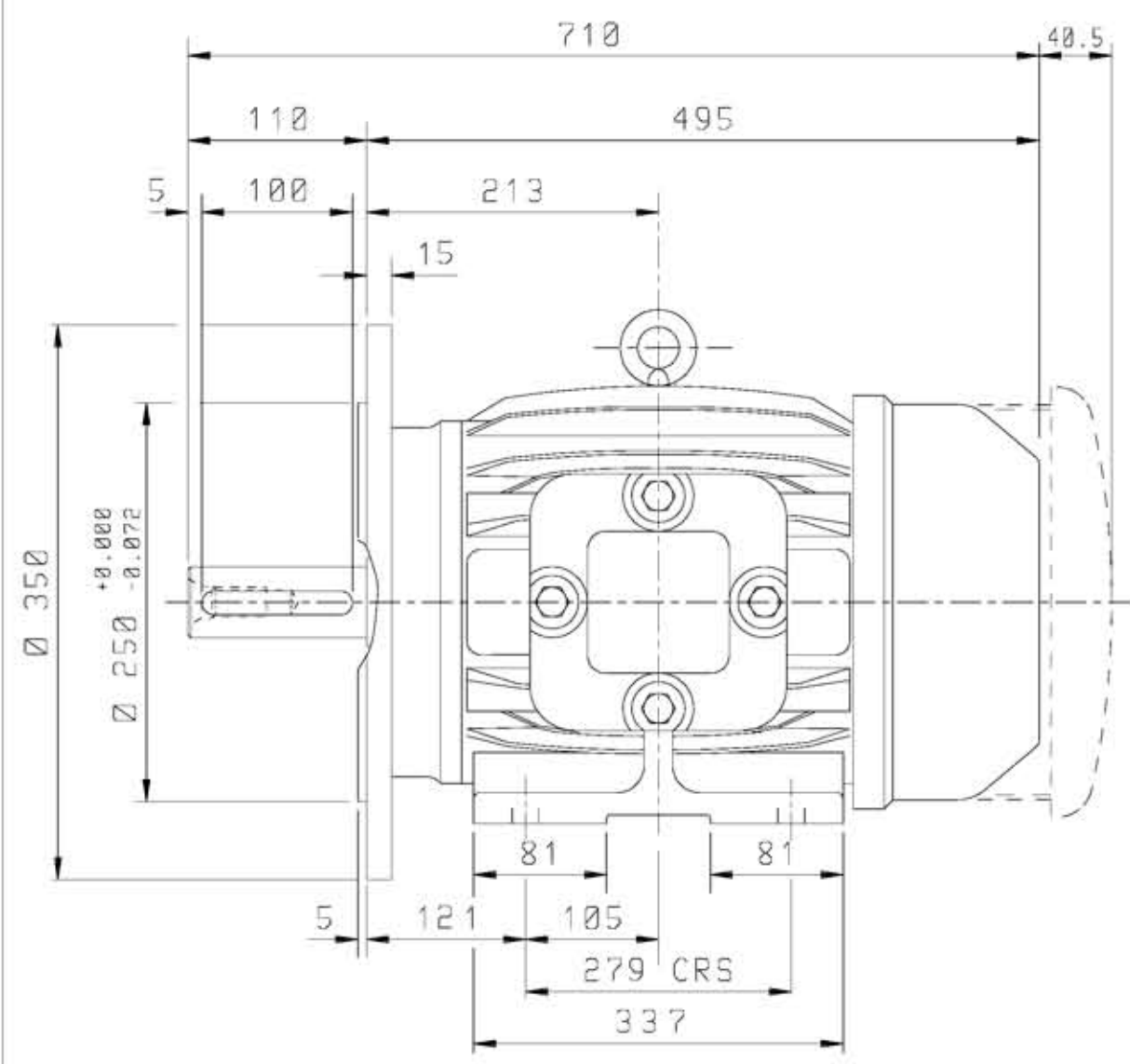


DRG. No. K16GD001/0
 DRG. REF.



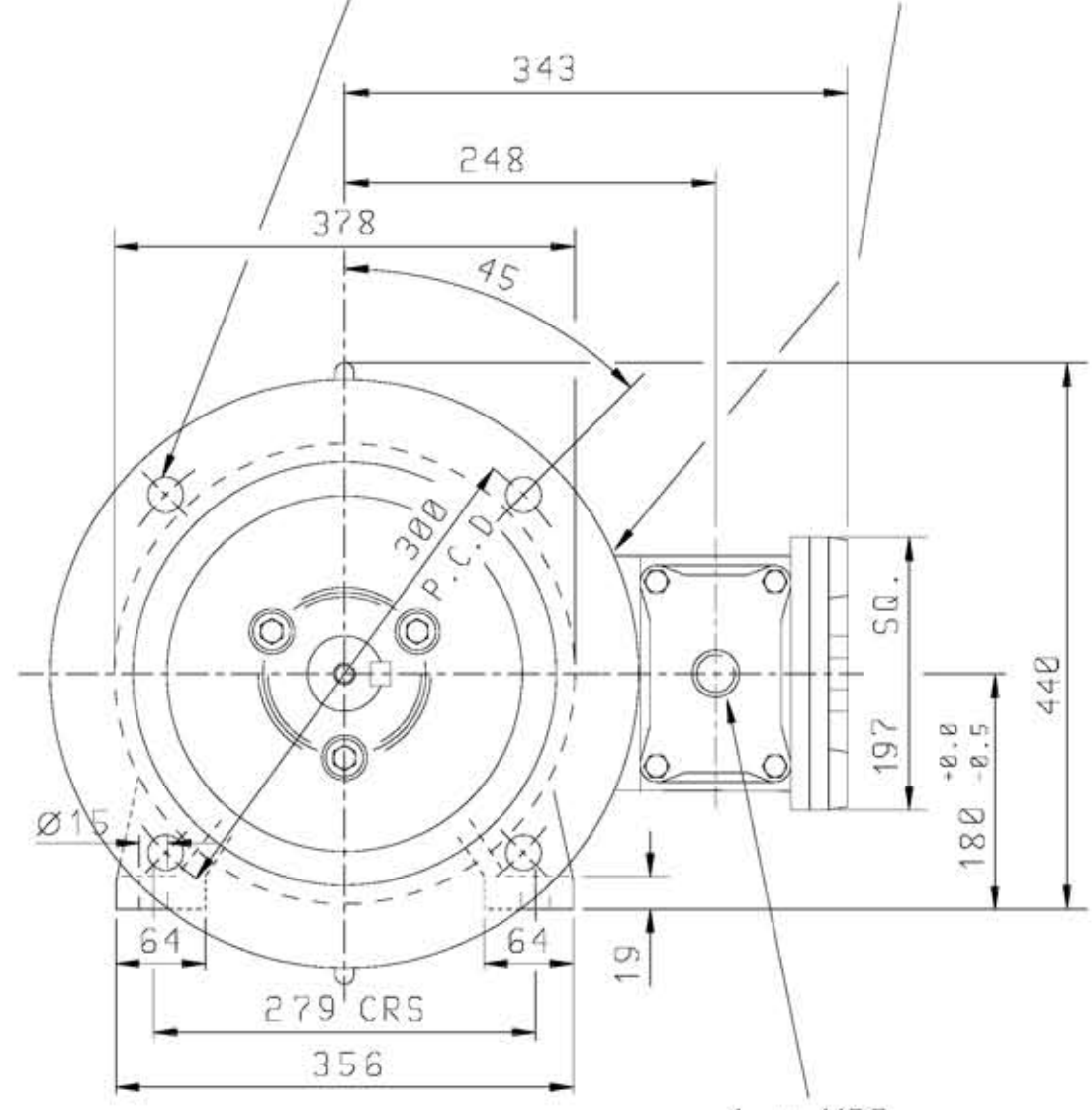
DRIP-PROOF COUL FITTED ON ALL
 VERTICAL SHAFT DOWN MOTORS &
 ALL MOTORS WITH CAST IRON
 FAN COVERS, OR WHEN REQUESTED.

SECTION ON 'X'



4-HOLES DRILLED Ø19
 EQUALLY SPACED AS SHOWN

EXTERNAL EARTH
 POSITION



1 x M32
 CONDUIT ENTRY TO SUIT
 COMPRESSION GLAND

CUSTOMER		
ORDER No.		
SERIAL No.		
FRAME SIZE		
KW.	RPM.	
Hz	PHASE	
VOLTS	POLES	
BRGS.	DE.	NDE.
MOTOR NETT WT.		Kg.
SPECIAL REMARKS		

ALL DIMENSIONS IN MILLIMETRES.



**BROOK
 CROMPTON**

Huddersfield, HD1 3LJ
 ENGLAND

SHEET SIZE A3	TITLE	NAME	DATE
	OUTLINE DIMENSION DRAWING 'W' FLAMEPROOF TOTALLY ENCLOSED FAN COOLED EExd 180L FRAME FOOT & FLANGE MOUNTED MOTOR GROUPS IIA & IIB.	DRAWN	26-03-03
		CHECKED	26-03-03
		SCALE	N.T.S

DRG. No.	K16GD001/0
DRG. REF.	
REVISION:	DATE